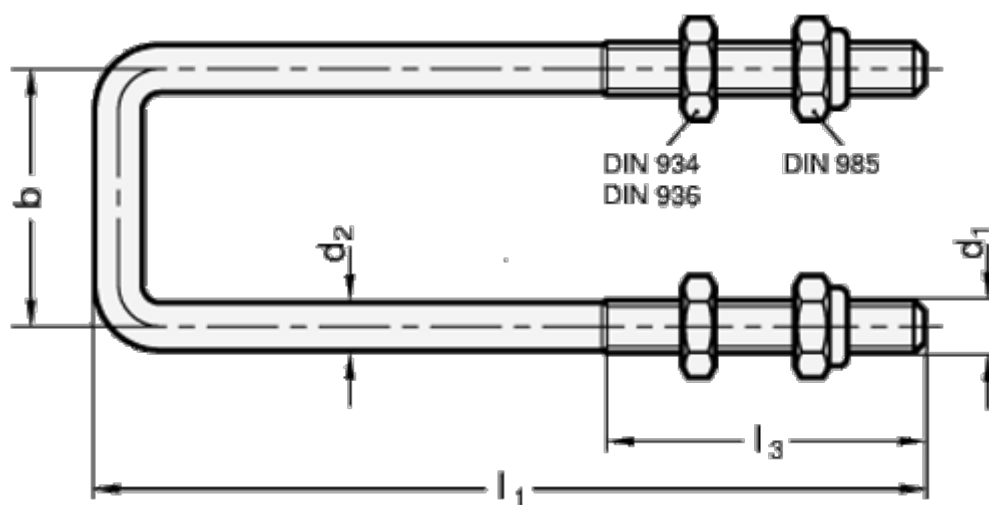


Article number: 209512M1255361ST

Description: E+G Pulling latches for clamps GN 852  
GN 951.2-M12-55-361-ST

## Measures



$b = 55$   
 $d_1 = M12$   
 $d_2 = 10.8$   
 $l_1 = 361$   
 $l_3 = 60.0$